

LIFTING EXPECTATIONS

75XR SERIES

SERCO

LOADERS

A GRYB COMPANY



LIFTING EXPECTATIONS

For those that require a lightweight yet powerful loader, the SERCO 75XR was developed for you. Whether you are handling pipeline materials or heavy sawlogs and pulpwood, the 75XR will make your job easier.

Lift Capacity

8,136 lbs. lift capacity at 10 ft. radius (less weight of attachment).

Boom Reach

22ft. knuckleboom options to 26ft., 22ft. & 23ft. boom with 3ft. and 4ft. squirt (25ft.-27ft. overall).

Rotation

572 degrees on double-row turntable bearing.

Stabilizers

Telescoping A-frame type with 110-5/8" spread at grade level for adjustment on uneven terrain.

Hydraulic System

Tandem hydraulic circuits to allow simultaneous operation without power loss.

Tandem gear pump providing 30 & 30 GPM at 1,400 pump RPM.

Stack type control valves located under seat for increased operator visibility and safety.

55 gallon truck frame mounted hydraulic reservoir with high capacity, 10-micron return line filter and removable access cover.

Folding joystick controls standard. 4-wire reinforced hoses in all pressure applications.

Oversize main pressure and return lines with bent tube-type fittings to eliminate heat problems.

Miscellaneous

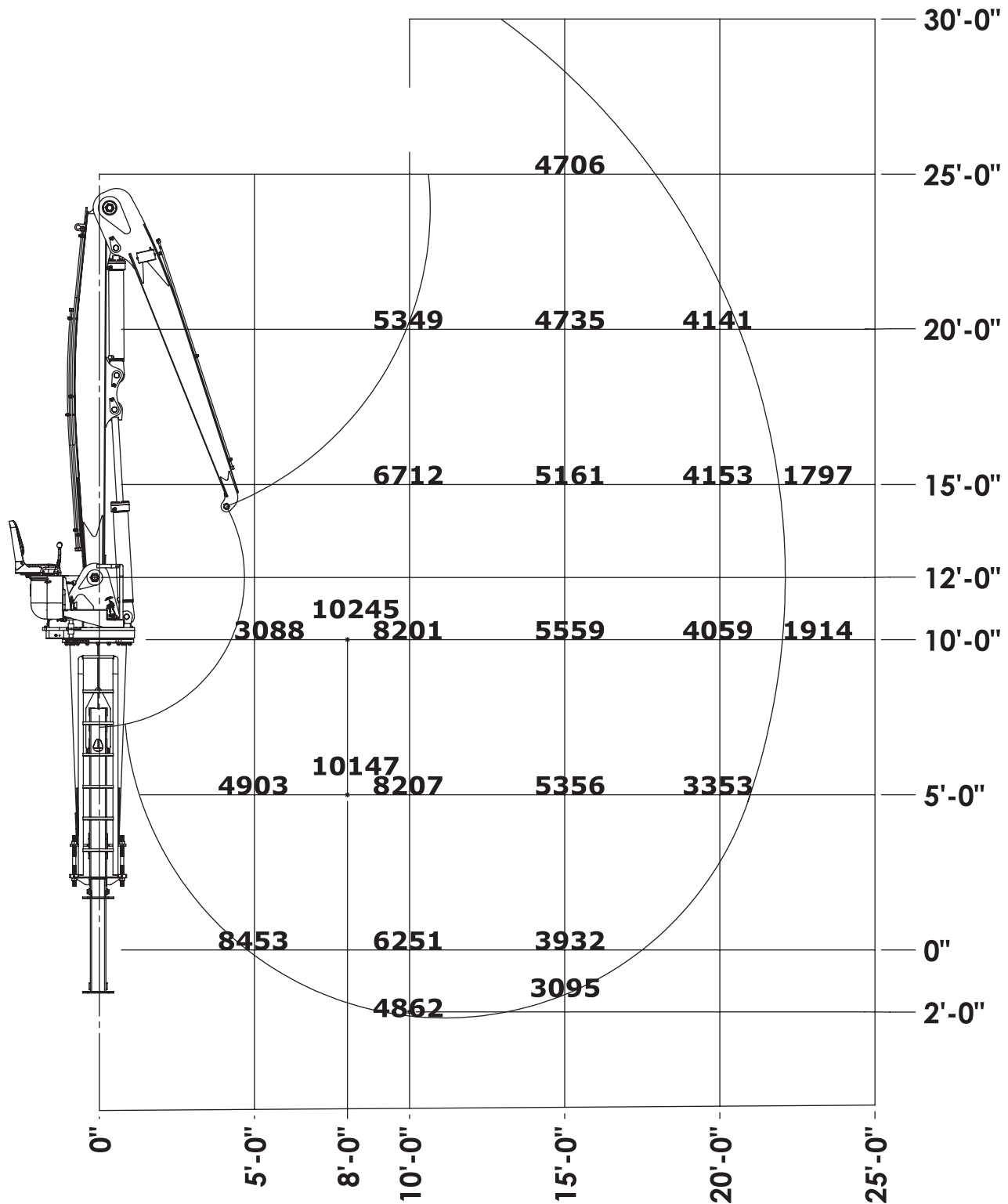
- LED light kits.
- Full range of attachments including continuous rotation grapples.
- Three-point greasing system for turntable bearing and pinion gear.
- Side-mounted aluminum tank built to SERCO specifications.
- Seat belt included.
- Bolt-on gland cylinders.



NEXT-LEVEL PERFORMANCE

LIFT DIAGRAM

Capacities shown are maximum theoretical lift capacities based on loader system pressure rating indicated, loader is mounted on adequately sized vehicle, stabilizers deployed in down position and the entire unit is on firm, level ground. It is highly recommended that prior to installation of this loader onto truck that operation of loader on customer vehicle.



NOTES



YOUR NEW LOADER AWAITS!

CONTACT OUR TEAM TODAY!

(218) 834-5118

serco@sercoloaders.com

sercoloaders.com

