

SERCO

LOADERS
A GRYB COMPANY

LIFTING EXPECTATIONS

1050XR SERIES



LIFTING EXPECTATIONS

Modeled after our popular SERCO 8500, the SERCO 1050XR features increased lift capacity and a rugged, durable design making it an ideal choice for railroad and heavy hauling applications.



Lift Capacity

11,049 lbs. lift capacity at 10 ft. radius (less weight of attachment).

Boom Reach

22 ft. fixed length boom standard. Fixed length and telescoping booms available to 29 ft.

Rotation

Continuous on double-row turntable bearing.

Stabilizers

Telescoping A-frame type with 117-3/4" spread at grade level for adjustment on uneven terrain.

Hydraulic System

Tandem hydraulic circuits to allow simultaneous operation without power loss.

Tandem gear pump providing 30 & 30 GPM at 1,400 pump RPM.

Stack type control valves located under seat for increased operator visibility, safety. Including necessary relief and anti-cavitation valves for machine protection.

50 gallon A-frame mounted hydraulic reservoir with high capacity, 10-micron return line filter and removable access cover (aluminum and steel remote hydraulic tanks also available).

Folding joystick controls standard. Four-wire reinforced hoses in all pressure applications.

SERCO hydraulic manifold with ductile iron center spool & chrome-plated housing for continuous swing rotation.

Miscellaneous

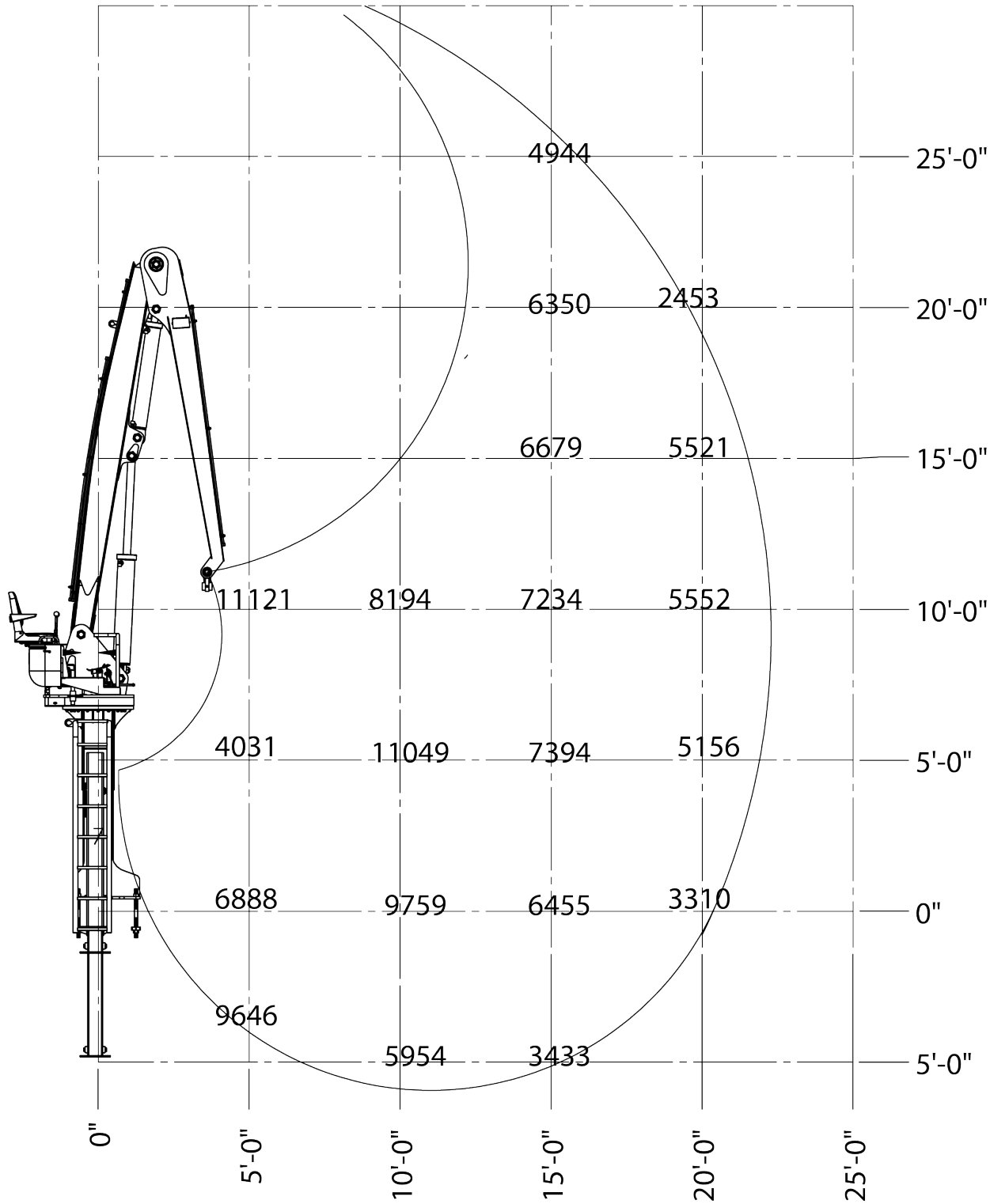
- Three-point greasing system for turntable bearing and pinion gear.
- Mechanical swing lock for safety during transit.
- Dual, heavy-duty ladders.
- Telescoping jib boom with separate valve and foot control.
- LED light kits
- Full range of attachments including continuous rotation grapples.
- Hydraulic oil coolers.
- Sealt belt included.
- Bolt-on gland cylinders.



**NEXT-LEVEL
PERFORMANCE**

LIFT DIAGRAM

Capacities shown are maximum theoretical lift capacities based on loader system pressure rating indicated, loader is mounted on adequately sized vehicle, stabilizers deployed in down position and the entire unit is on firm, level ground.



NOTES



YOUR NEW LOADER AWAITS!

CONTACT OUR TEAM TODAY!

(218) 834-5118

serco@sercoloaders.com

sercoloaders.com

